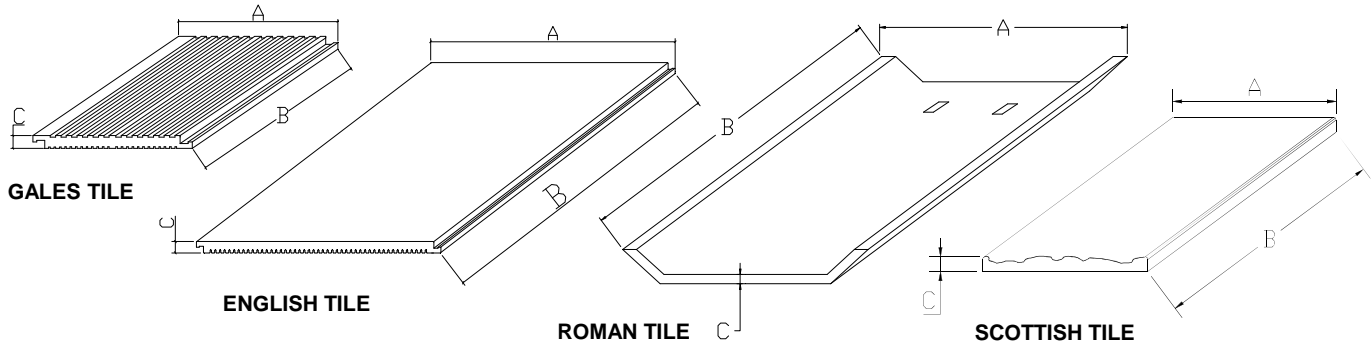




FLAT TILES



DIMENSIONS	GALES TILE	ENGLISH TILE		ROMAN TILE	TEJA ESCOCESA SCOTTISH TILE
A	(7" 7/8)	(13" 3/4)		(11" 13/16)	(7")
B	(13")	(18" 1/8)		(19" 3/4)	(16")
C	(5/8")	(5/8")		(15/32")	(5/8")
Pieces per 100 square ft.	192 3" headlap	70 3" headlap	133 10" headlap	118 When installed along with Sahara tile & 3" headlap	294 (7"x7" exposed) 9" headlap
Nominal Weight	(3,75 lb)	(10,15 lb)		(8,5 lb)	(4,6 lb)
Weight per 100 sq. ft.	720 lb	710,5 lb	1350 lb	781,75 lb combined weight	1352,4 lb
Water Absortion (%)	Less than 5%				
Accesories	Ridge, Gable				
Pcs/Pallet	780	238		252	424
100 sq. ft./pallet	4,0	3,4	2,0	2,1	1,4
Colors	Terracotta Ameca Monte	Gris Vesubio Verde Oasis Montesabino Tabasco Balmorin Trinity Villafranca Nogara Amalfi Ferrara (Terracota)		Terracotta base (black + red) Brown Base (black) Brown base (black+yellow)	Gris Vesubio Verde Oasis Montesabino Tabasco Balmorin Trinity Villafranca Nogara Amalfi Ferrara (Terracota)
Material	100% clay tile, extruded and fired at 1832 F				

* All weights and dimensions are approximate. Variations may occur.

REVIEW

ISO COORDINATOR

AUTHORIZE

QUALITY DIRECTOR

AUTHORIZE

OPERATIONS DIRECTOR